



Parish Magazine

October 2023



Evening Light at Crouchston

Photo by Rob Pendlenton

STaB is published by the Parochial Church Council and delivered free of charge to every home in Stratford Tony and Bishopstone. We hope you find it interesting and informative. **Donations towards publication costs are always welcome.**

Donations should be made payable to Bishopstone Parochial Church Council and sent to: The Treasurer, Bishopstone PCC, Ebble Cottage, Mill Lane, Bishopstone, SP5 4BG. Please state on a cover note that it is for STaB.

The views in this magazine are not necessarily those of the PCC.

Editor: Kate Pendleton: 780655

Editorial Team: Robert Pendleton 780655

Cally Edwards: 780079

Email: **teamstab2019@gmail.com**

Advertising

Robert Pendleton: 780655

E.mail: **stabads@outlook.com**

Any articles for inclusion are to be submitted by 5pm on the 20th of the month to appear in the next issue - *unless the magazine is already full.*

The editors reserve the right to edit all contributions.

Our love and condolences go to the families of Vince Ryalls and Hazel Johnson who have both died. May they Rest in Peace and Rise in Glory.



A warm welcome to Bishopstone and Stratford Tony...

A welcome back to Bishopstone to Debs and Mia, and Jamie, Dom and family who are now back in Stanley Close after the devastating fire in 2021.

Please let us know if you know of anyone who moves into Bishopstone or Stratford Tony - or indeed if you yourself have recently moved in, please do introduce yourselves! - so that we can offer them/you a welcome in STaB.



Hello from the Revd Canon Jenny Taylor



The Harvest season is upon us in the Chalke Valley and there have been and continue to be celebrations, both large and small, in all our churches. Thank you to everyone who contributed to our very special service in Bishopstone last month. I know how grateful the Food Bank were for our collection.

The last couple of months have certainly seen plenty of new beginnings – Anne Stutchbury has stepped up into the role of Chair for the Friends of Bishopstone Church – we welcome her and thank Chris Sexton for all his hard work over several years.

Coombe Bissett School welcomed Mrs Emma Haworth as the new Head Teacher and we are so glad she has settled in happily. If any of you would like to join the new Community coffee mornings in school on 6th October, 3rd November and 1st December from 9.30-10.30 you are more than welcome.

At the end of September the Revd Dr Ruth Howlett-Shipleigh was instituted as our new Team Rector – having been the Team Vicar for Nunton, Odstock and Bodenham, Britford and Charlton All Saints for a year, we are absolutely delighted that she has decided to stay and take on her new role! We are advertising for a Team Vicar to have responsibility for Broad Chalke, Bowerchalke, Ebbesbourne Wake, Fifield and Alvediston and Berwick St John and hopefully will conduct interviews at the beginning of December.

So, lots happening but your churches remain steadfast and open for all visitors – do take time to drop in – we would love to see you especially at any of our services. You will have a warm welcome!

As the Psalmist says:

O sing to the Lord a new song; sing to the Lord, all the earth.

and I say – especially in Bishopstone Church!!

Chalke Valley Team Ministry - Parish of Bishopstone and Stratford Tony
Team Vicar: Ruth Howlett Shipley 01722 697022
Team Vicar responsible for Bishopstone and Stratford Tony: The Revd Canon Jenny Taylor 01722 503081
Church Wardens: George Brutton 07989 382465 Sarah Seal 01722 780305
Lay Pastoral Assistant: Sally Leaver 01722 780447
Team Administrator: Emily Broomhead 07890 262376 thechalkevalleychurches@gmail.com

Parish Council

The latest meeting of the Parish Council took place on Thursday 7th September. Councillors Thorne, Edwards, Barter, Smith, Tatner and Rigg were present, together with the Parish Clerk. Apologies had been received from Cllr Williams and Wiltshire Councillor Nabil Najjar. Five members of the public were also present. The full minutes of the meeting, together with the papers considered, are available on the village website (www.bishopstone-salisbury.co.uk).

Mike Ash reported progress with various projects in the village:

i) A new seat has been installed in the Children's Play Area. This seat, made of recycled materials, is inscribed with a commemoration of the coronation of King Charles III. It provides a handy place for parents and carers to sit close to the play equipment used by the youngest children.



ii) After many years of pressure from the Parish Council, Wiltshire Council has finally taken action which, it is hoped, will deal with any future flooding problems in Faulston Lane. Existing ditches have been enlarged and a new culvert inserted under the road. At the meeting it was agreed to remind Wiltshire Council's Drainage Team of the potential continuing flooding issue in Netton Street.



iii) As previously reported, a submission had been made to Wiltshire Council setting out in detail the case for a reduction in the speed limit from 40mph to 30mph in the section of Broad Chalke Road past the Recreation Field, Play Area and the White Hart. This submission was given initial consideration at the meeting of Wiltshire Council's Local Highways and Footpaths Improvement Group on 6th September. It was agreed that the proposal was worthy of detailed consideration and consultants will be appointed to undertake a

Speed Limit Assessment. This is likely to take place in November and the matter will be discussed again at LHFIFG in the new year.

iv) The Parish Council had been making arrangements to restore the footpath alongside the river, between Bridge Road and Croucheston. However, in the event, the work was carried out by volunteers from the South Wiltshire branch of the Ramblers Association, led by Wiltshire Council's Footpath Team. They have restored the river bank, which was largely destroyed by the high level of the river last winter, rebuilt the two footbridges and provided new hand rails. They have done an excellent job.



v) The resurfacing of the first part of Pitts Lane, adjoining the High Road, has been completed. The cost of this work was shared between the residents of Pitts Lane and the Parish Council.

vi) It had previously been pointed out that the two Public Access Defibrillators in the village – at the Village Hall and in the kiosk opposite Pitts Lane - are a little remote from the eastern end of the village. It was agreed to purchase a third defibrillator to be located in the bus shelter near Church Lane.

Mike Ash also reported on representations that had been made to Cllr Najjar and to officers of Wiltshire Council about the disruptive effective of road closures in the village and, in particular of planned road closures that did not actually take place. It was felt that much of the work proposed could be undertaken with traffic lights or stop/go boards, without the need to close the road completely. Wiltshire Officers had undertaken to hold discussions about these problems with the utility companies, in particular with Openreach.

Further consideration was given to the question of the recruitment of a new Clerk to the Parish Council (see separate notice).

The next meeting of the Parish Council will take place on **Thursday 9th November 2023** at 7.30pm in the Village Hall.

PARISH CLERK

As announced in previous editions of STaB, Mike Ash is keen to step down as Clerk to the Parish Council after more than 12 years in the role. Appeals for volunteers to come forward from within the village to take on this role have proved fruitless so far.

The Parish Council has now agreed that any new Clerk would be unlikely to take up this role on the existing voluntary basis and that an appropriate level of pay should be offered. Based on agreed national scales, this would mean a salary of between £11.63 and £12.73 per hour. So for a five hour week this produces an annual salary of between £3,024 and £3,310 a year. The number of hours to be worked and the precise level of pay would be for negotiation.

At the meeting on 7th September it was decided to make a further appeal to the community in Bishopstone but also to approach Clerks of other parish councils in the area to see whether any of them would be prepared to take on this role in addition to their current duties. Whilst this is undoubtedly a second best solution, it would be better than having no Clerk at all.

Without doubt it would be very much better for any new Clerk to be a part of the village community and the Parish Council would urge everyone who lives in the parish to give consideration as to whether they could take this role on. The job now offers a useful part time income, involves flexible working and can be fitted in with other activities. It could easily be undertaken as a job-share between two people and entirely involves working from home. The Parish Council's door is therefore still open to anyone in Bishopstone who might be interested in taking this on as paid employment.

Mike Ash is very happy to mentor any new clerk(s), including working in tandem for the first year. A job description is available on the village website (www.bishopstone-salisbury.co.uk) or direct from Mike (bishopstoneclerk@btinternet.com). He is also happy to have an informal discussion with anybody who might be interested.

Village Hall



October 2023

KEY AUTUMN EVENTS

Saturday 14th October 'Mitchell and Vincent'

A Rural Arts show, Mitchell and Vincent are a duo playing folk music on guitar and fiddle. Tickets are priced at: Adults £15, Concessions £12.50, Children £8.00.

There will be an optional supper available for an additional £5 per person.

Doors and bar open at 7pm for 7.30pm start

Saturday 18th November 'The Sunset Café Stompers'

By popular request, the Sunset Café Stompers are returning to Bishopstone.

Tickets are £15 each with an optional supper available for an additional £5 per person.

Doors and bar open at 7pm for 7.30pm start

Early booking for these events is strongly advised as numbers are limited. To make a booking, please contact Caroline Ash on (01722) 781044 or Sue Taylor on (01722) 780316.

The BISHOPSTONE COMMUNITY CAFE

Coffee Mornings are normally held on alternate **Thursdays**. Dates for the coming period are the **12th** and **26th** of **October** and the **9th** and **23rd** of **November**.

10.30am until 12.00noon.

Everyone is welcome to look in for a coffee and chat. There is presently no charge for refreshments.

MOVIOLA at Bishopstone

Friday 27th October. The Moviola film for October is 'Allelujah'. *'Allelujah'* is a 2022 British drama film directed by Richard Eyre and written by Heidi Thomas. It is based on Alan Bennett's play of the same name. The film stars Jennifer Saunders, Bally Gill, Russell Tovey, David Bradley, Derek Jacobi, and Judi Dench. When the geriatric ward in a small Yorkshire hospital is threatened with closure, it fights back by galvanizing the local community. The hospital invites a news crew to film the preparations for a concert honouring its most distinguished nurse.

A trailer for the film can be seen in the Event section of the village website at www.bishopstone-salisbury.co.uk.

If possible, please book in advance with Caroline Ash on (01722) 781044.
Entry for the film is **£6.00**. A cash bar with ices and snacks will be available.
The following Moviola show will be on **Friday 24th November** with the film
'Oppenheimer'.

BISHOPSTONE COMMUNITY LUNCHESES

Monthly community lunches resume for the season on **Wednesday 4th October**
with a talk by Dawn Lawrence on the Born Free Foundation.

The **November** lunch will be on **Wednesday the 1st** with Rosemary Pemberton
talking about "Eight Hundred Years of the Salisbury Friary and its Garden".

Times as usual: **12.00 noon for 12.30 pm**. Advance booking is essential. Please
telephone Caroline Ash on (01722) 781044 and advise her of any dietary
requirements. The cost is £7.50 for a two-course lunch and a drink.

HALL BOOKINGS FOR SOCIAL EVENTS AND WORKSHOPS

Both halls are available for hire. To enquire or make a booking, please contact the
bookings secretary Margaret Barter (01722) 780471

BISHOPSTONE PLAYGROUP

The playgroup meets on Friday mornings during term time from 9.30 – 11.00 am.
Breastfeeding support is available from qualified breastfeeding counsellor
Cally Edwards and trained peer supporters. Find further information on our
Facebook page *Bishopstone Playgroup* or contact Cally
on callyedwards@me.com or 07968 797 168.

"EXTEND" EXERCISE CLASSES

For further information about these exercise classes contact Jenny on 01722
780863, email: jennyberwynjones@yahoo.co.uk

PILATES AT BISHOPSTONE

For further information contact Claudine on 07788 587937 or email:
claudineblake@aol.com

YOGA WITH HANNAH

For more details please contact Hannah Stocker at 0773 856 1888 or by email:
yoga_with_hannah@outlook.com

SARUM SPINNERS AND WEAVERS

For more detail about the group please contact Les Smith on 01722 780761.

BISHOPSTONE VILLAGE HALL

presents

AUTUMN MUSIC



Saturday 14th October
7.30pm

"Without doubt an extremely accomplished and entertaining duo. Definitely a must see!" Bridport Folk Festival Director

Based in Somerset, Graham Mitchell and David Vincent bring traditional and contemporary styles on fiddle and guitar to folk tunes and songs from around the British Isles, as well as original material drawing on the folk traditions.



Saturday 18th November 7.30pm

The triumphant return of the



Described recently by Just Jazz magazine as "one of the best bands of its kind in the land", the Stompers play music of the New Orleans dance halls a century ago, and of the early great jazz band leaders including Jelly Roll Morton and Duke Ellington.



To book phone **Caroline** on **01722 781044**
or email bvhticketoffice@btinternet.com

Full details on the Village Hall Events Page

Bishopstone Village Hall rates for private hire

Bishopstone Village Hall has 2 rooms that are available for hire for a wide range of functions. The larger room is ideal for children's parties with lots of space for running around. It can also accommodate wedding receptions, charity functions and large family celebrations.

The smaller room (The Memorial Room) is a good size for meetings and smaller gatherings.

The modern kitchen is spacious and fully equipped with an electric catering range, a professional 4 minute dishwasher, water boiler, hot cupboard, microwave oven, 2 fridges and a freezer, all suitable for professional caterers. There is also glassware, crockery and cutlery for over 80 people.

The hire charges include use of heating and electricity.

The rates are currently:

	Villagers	Non Villagers
Hire of both rooms (With full use of the kitchen)	£15 per hour	£20 per hour
Hire of both rooms (With tea making facilities but no other electrical kitchen equipment)	£10 per hour	£15 per hour
Full use of the kitchen <u>only</u>	£10 per hour	£15 per hour
Weddings – per event/day	£150	£250
Parties – per event/day	£100	£150

Broadband

An additional charge is made for use of the broadband connection of £6 per hour with a maximum of £25 per day.

Large projection screen

Use of this professional quality screen is charged at an additional £10 per event.

The hire period must include time to set up and clear away after the event.

For further information and bookings contact: Margaret Barter 01722 780471

Chalke Valley Community Support

POLICE

Call 999 in an emergency: an emergency is when someone is being threatened or at risk of getting injured, or a crime is in progress.

Call 101 for non-emergencies: such as reporting a crime that has already taken place, non-urgent incident, contacting local officers etc

To contact your Community Policing Team about a community-related matter, such as a school visit, then please email SalisburyAreaCPT@wiltshire.police.uk

Please note that this mailbox is not monitored 24/7.

You are unable to report crimes of any type via email and please do not report any situations that require an urgent response.

You can follow us on:

Facebook - www.facebook.com/salisburypolice

Twitter - www.twitter.com/SouthWiltsCPT

Community Messaging: Sign up to Community Messaging for news and updates from your local policing team: www.wiltsmessaging.co.uk

Sixpenny Handley and Chalke Valley Practice

Doves Meadow Surgery, Broad Chalke: 01722 780282

Broadchalke Surgery is now open on Tuesdays and Thursdays

Sixpenny Handley Surgery: 01725 552500

www.sixpennydocs.co.uk



MOBILE LIBRARY

The Mobile Library is back in action and will be calling at The Styles in Bishopstone between 1115-1135 on the following Thursdays:

26 October, 23 November, 21 December, 18 January, 15 February



**Coombe
Bissett
Stores**

www.coombebissettstores.co.uk

shop@coombebissettstores.co.uk Tel: 01722 718852

OPENING HOURS, SHOP AND POST OFFICE

Mon-Fri: 7am-6pm, Sat: 7am-1pm

**Chalke
Valley
Stores
Broadchalke**

w: www.chalkevalleystores.co.uk

e: info@chalkevalleystores.co.uk Tel: 01722 780998

OPENING HOURS

Shop: Weekdays 9am - 5pm (until 4pm on Saturdays)

Post Office: Monday, Tuesday & Thursday 9:30am- 1:30pm

CHALKE VALLEY LINK SCHEME

exists to provide transport and other good neighbour support in a local, personal and friendly way to members of the Chalke Valley community who need it.

If you live between Bishopstone and Bodenham or Britford and need help getting to your surgery/hospital appointments/local shopping or to visit family members in hospital, **please phone 01722 718780 to reach our Joint Transport Coordinators (Anna Mynott, Debby Underhill or Roger Brown) who will be on duty in rotation.**

There is no charge, but you are invited to make a donation towards our administrative costs. Our co-ordinators are all volunteers and there may be occasions when you will be asked to leave a message which will be answered as soon as possible. Our drivers are all volunteers too, so please give us as much notice as possible so that we may find a volunteer who is available.

We are always looking for Volunteer Drivers to enable us to continue to provide a useful service for our community. If you feel you can help - you won't be committed to any particular date or time, only when you are free - please contact any of the above for further information.

Registered Charity No 1076335

Queen's Award for Voluntary Service

Staying in Touch

STaB magazine is a vital source of communication in the village, keeping everyone informed as to what is happening locally. However, the Covid-19 pandemic has highlighted the fact that situations can change very rapidly. To keep up to date with what is going on there are two other important sources of information in Bishopstone - the village website and our own WhatsApp network.

The village website – www.bishopstone-salisbury.co.uk is updated in real time and carries all the latest news on issues that affect the village.



The Bishopstone Network is a WhatsApp messaging service that has more than proved its worth during the pandemic, and more recently during the storms when residents were able to report fallen trees and blocked roads to the Emergency Planning Officer. Information can be instantly shared to your mobile phone about support services being provided in the village and on a variety of other matters – everything from the length of electricity black outs to what is available from the White Hart take-away service! You will need to download the App to your phone and then contact Piers Edwards (piersgedwards@gmail.com or 07920 475009) or Kate Pendlenton (kmpendlenton@hotmail.com or 07769202200) and ask to be added to the group.

Salisbury Foodbank

Thank you to everyone who donated over the last two months, the combined total was 25.9 kgs.

Again they are particularly asking for

Toilet Rolls	Long Life Milk
Long Life Fruit Juice	Tinned Rice Pudding/Custard
Tinned Fish	Tinned Meat
Sponge Puddings	Tinned Vegetables/potatoes
Pasta Sauce	Tinned Fruit
Tinned Tomatoes	Packet Puddings/ Angel Delight
Pasta	Snacks
Nappies	Personal Hygiene products
Biscuits	Chocolate

By the time to read this we will have had the Harvest Festival and I am sure you will all have been very generous with your giving as you have been over the many years that I have been writing these posts. Thank you all.

You can leave your donations either at the Church or at my house - The Old Post Office, The Cross - or if you would like me to collect please call me on 01722 780306. If you are already contributing through the supermarkets own collection then thank you so much.

Thanking you in advance and for all the support you have given over the years.

Judy Barrett



The Friends of Bishopstone Church

If you would like to help the Friends of Bishopstone Church with their work of preserving the fabric of this beautiful building, please contact the Treasurer Norman Barter (01722 780471).

Our focus in October is to prepare the Sports Centre for the autumn and winter period. Many hands make light work...so if you have a couple of hours to spare 0900-1200 on Saturday 14th October, let one of the committee know, we would love to see you. Dependent on weather, we have various ground works, tidying, shed painting, and clearing up to undertake.

Last month saw a couple of the **Chalke Valley Petanque Club** Teams in the knockout finals held at Tisbury after another successful season in the local League. The Friday evening social sessions were also excellent with attendances averaging 20-30 and from all ages. Check-out the Petanque website for information on what's happening over the autumn and winter.

Netball at the Sports Centre. Emily Gurd is looking into level of interest to start a mid-week evening ladies' session. Initially recreational but if there is the interest to look at coaching and playing more competitively. If you are interested, please contact Emily on emilygurd20@gmail.com

Cricket. At the time of writing (mid-September) Broad Chalke Cricket Club are awaiting the outcome of a grant application to Southwest Wiltshire Area Board for replacement artificial cricket wicket and for installation ahead of next season.

Tennis. We now have costings in for resurfacing of the Multi Use Games Area which will cost over £30,000. We have been earmarking funds over recent years in readiness and to use as matched funding for grant applications and will be looking to make progress on these in coming months.

Indoor short mat carpet bowls. With the winter nights upon us, why not try indoor bowls on a Monday evening at the Sports Centre...never an issue of weather!

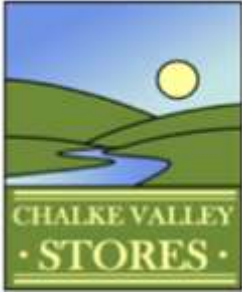
As always, the small committee would welcome new volunteers to help run the Centr. We will be having a maintenance morning, provisionally scheduled for Saturday 14 October. Why not join us then and get involved?

The hall is available for private hire so if you have a family celebration in the coming weeks, why not see what we can offer?

All our sports activities are promoted through the website.

General e.mail: info@chalkevalleysportscentre.co.uk

More details can be found on our website: www.chalkevalleysportscentre.co.uk



***Shop at the heart of the Community
Owned by YOU, Run by YOU, Here for YOU.***

w: www.chalkevalleystores.co.uk | e: info@chalkevalleystores.co.uk | Tel: 01722 780998

OPENING HOURS

Shop: Weekdays 9.00am - 5pm (until 1pm on Saturdays)

Coffee Shop: Weekdays 10am - 3.30pm (until Midday 12pm on Saturdays)

Post Office: Monday, Tuesday & Thursday 9.30am to 1pm

We are delighted that Stephen Whitmore wishes to share his experiences as a Volunteer in the Shop.

A few months ago I agreed to be a volunteer at Chalke Valley Stores, working in the shop itself. I had a couple of training sessions to help me understand the till system and to get to know where everything is situated in the shop, and then I was off!

The important thing to know, for those of you thinking of taking the plunge, is that there is always a permanent member of staff on hand to help you out when something unusual crops up.

The volunteers tend to deal with sales to customer; in the morning there are other tasks – helping to get the milk, bread, newspapers, and fruit and vegetables in and where they should be in the shop .

In the afternoon it is a bit quieter, but there are always other things to do if you feel minded to, such as re-stocking shelves, sorting out the stock room, checking sell-by dates and helping deal with deliveries of incoming stock.

If anyone is thinking of volunteering, it is worth knowing that you can either sign up for a regular shift or you can put yourself down as available to fill in when necessary. You can always take a break for holidays etc, even as a regular shift volunteer.

Surely everyone can appreciate the huge benefit of having the Hub in the village. The fact of the matter is that the Hub is wholly dependent on its army of volunteers. But like all armies, it sustains losses over time and new recruits are always needed! If you now have a bit of spare time , perhaps because the children are now at school or your work commitments have reduced, please help out if you can.

I can assure you that it is a great way to keep in touch with people in the village, at the same time contribute to the wonderful amenities we enjoy here.

Stephen Whitmore

If you wish to have more information on how to become a volunteer, please contact Tony Patel, our Shop Manager, on 01722 780998. He will be very pleased to help you with the simple process of joining the Team.

NB There is a Trussell Trust Collection Point in the Hub for any donations of foodstuffs you may wish to make. Your generosity will help those in need.

Chalke Valley Fete and Produce Show 2023

Well what a day! The sun shone and fun was had by all young and old alike.

This year's event was a great success with an estimated 800-900 visitors enjoying an afternoon of traditional Fete games, the competition in the Produce Show, ice creams, BBQ, bar and a range of Market and charity stalls as well as the vintage vehicles, birds of prey display and country craft demonstrations.

It was also pleasing to see volunteers from Bishopstone and Bowerchalke helping this year as well as more Produce Show entries from up and down the Valley. We also had the Police Crime Commissioner and Chief Constable of Wiltshire Police and John Glen in attendance.

Thank you everyone who helped in any way they could - from car park duty, to making and serving cakes, helping in the produce tent, setting up, supplying local food for our BBQ, ice cream, classic vehicles, managing a stall or activity, making announcements and handing out prizes.

An extra big thank you when we were all on our knees at the end of the day to those who stayed behind, let us use their vehicles and get everything packed away.

And of course it wouldn't happen without you all coming to support us and raise money for local good causes.

We have had lots of positive feedback from everyone who attended the fete back in August. Together we managed to raise **£5500** for good causes in the valley, so thank you!

Small grants are now available to assist in running community activities that take place in the Chalke Valley. If you would like to apply for a grant for something in the community please contact us via email to Treasurer.cvfete@gmail.com

SAVE THE DATE FOR NEXT YEAR'S FETE: 17th August 2024

THANK YOU

Sara, Chris and the Fete Committee.

Editor's note: The STaB team would like to thank the Chalke Valley Fete Committee for their donation to STaB. We enjoyed attending the fete and entering some of the classes in the show. It was a lovely Chalke Valley event, with something for all the family.

Changes at the Church

The last few weeks have seen some wonderful changes in our lovely church, and in the churchyard.

Nick Gooch, Trevor Long, and Mark Vincent have formed a “gang”, along with Mike Pratt, to tackle the problems in the neglected areas of the churchyard. They have been working incredibly hard, cutting back low-lying branches, and clearing brambles and ivy from the eastern side of the churchyard, and by the road. Not only does it look much better, but they have been able to reveal graves which have been engulfed by vegetation for many years. There is plenty more to be done, so if anyone else would like to join the work party, please get in touch with me, or one of the gang, your help would be most welcome.



Right - before and after the clearance

Inside the church, we have a lovely new deep blue cloth protecting the altar. This was made by Margaret Barter, and we are most grateful to her for her gift.



Finally, we now have some beautiful rails by the steps leading up to the porch. They were made and installed by John Edmunds of Metal Artwork, and were given by Hester Kirkham, who is now living in America. A really generous and thoughtful gift, which has made the steps so much safer to negotiate.



We are very fortunate to have people who give up their time, to help keep the church and the churchyard looking lovely, thank you so much.

Sarah Seal

REMEMBRANCE SUNDAY ...

12th NOVEMBER 2023



Remembrance Sunday this year falls on the 12th of November. Our Service of Remembrance for Bishopstone and Stratford Tony will start at **1050 hrs (10.50 am)**, for the silence at 1100hrs.

The service will be taken by the Revd Canon Jenny Taylor, to include reading of the Names of the Fallen, the Wreath Laying and the two-minutes Silence. Serving and retired service members and others with decorations and medals are asked to wear them. If you wish to wear family medals, please to do so on the right side of your coat.

Collections for the RBL Poppy Appeal will begin on Saturday 28th October with house-to-house collections as normal. Many thanks to our team of collectors, but please let me know if you cannot do it anymore.

After the service, a curry lunch will be served in the White Hart Inn, and please call Tom or Zara direct to reserve your place on: Tel 780244.

A reminder will appear in November STAB.

This will be the last year that I will have any responsibility for the Poppy Appeal in the Valley and the Village. At the age of 80, I am retiring from both duties, and am most grateful to Graham Hill and Rob Pendleton for taking them on, in the Valley as Poppy Appeal Organiser (Graham) and Village Rep (Rob). I have done it for over 15 years, and am sure you all want a change!

Any queries should be addressed to me, James Thompson; Tel 780683.





Coombe Bissett CE VA Primary School

“Soar on wings like eagles, run and not grow weary, walk and not be faint” Isiah 40:31

Welcome to our lovely school!

The school year has begun with the arrival of our new Reception children in Oak. Elsewhere in the school, Robyn has joined Fir class as well as a brand-new head teacher!

A message from Mrs Haworth:

My name is Emma Haworth and I am fortunate enough to be able to say that I am the new headteacher of Coombe Bissett CE VA Primary School. It is such a privilege to be able to join such a family-centred school which just emanates warmth and compassion. It is definitely a small school with a big heart!

I have been teaching for over twenty-five years and have been a head for the past twelve. My passion in life is teaching! I am at my happiest, during a school day, when I am in a classroom with the children. I love to learn and I love nurturing that love in others. Watching children thrive and flourish is a privilege that I do not take lightly. It is my aim that children should come to school every day with a smile and leave with an even bigger one!

Outside of school, my family is incredibly important. My husband and I have two daughters who are both now at secondary school and family time is very special. The four of us especially enjoy walking the newest addition to our family, our Romanian rescue puppy!

I am blessed to be the headteacher at Coombe Bissett. The view from my office window, but more importantly the buzz from the classroom around me and the family feel of the school and its community remind me of this every day.

I would love to be able to share what makes our school so special with as many people as possible, so please do make an appointment to visit - we would love to see you!

News from our classes

Oak

Our youngest children have been settling in and making lots of new friends. They have also enjoyed planting pansies in their lovely outside space.



Elm

So many exciting things to learn: building bigger numbers in maths, drawing spirals in art, using an atlas in geography and matching animals and their offspring in science!



Fir



As well as learning about Divali and making diva lamps, mehndi designs and Rangoli patterns, Fir are enjoying their new class reading book: *The Hobbit*.

Ash

Our oldest pupils have new responsibilities: team captains and vice-captains to coordinate whole school activities; chair, vice-chair and secretary of our School Council; class ambassadors to introduce our school to visitors; chair and representatives in the Collective Worship Group to work alongside Canon Jenny.... We know that they can be entrusted with the care of our wonderful school.



Among their curriculum highlights has been designing nature-inspired typography in art:



Bargain Hunt

What do you do whilst you are eating your lunch? Do you read the paper or a good book, do you gaze into space or do you watch 'Bargain Hunt'?

Bargain Hunt is a rather 'loose' antiques programme in which two teams are given £300 to buy three items to take to auction. Each team has an expert to guide them and whichever team makes the most profit or least loss is the winner.

At the end of May I had a 'phone call from my youngest son to say that he had entered my granddaughter and myself to take part in the programme and that the reply had been the BBC was interested. A video of the two of us was required which was then followed up by a 'zoom' call and by the middle of June we were told that we had been chosen to take part in a film shoot at Hungerford Antique Market on 2nd July.

We arrived at the venue at 7.45 am and were taken up to the green room. The building, some of which dates back to the thirteen hundreds was fairly dilapidated once you had risen above the showrooms below, had somewhat sagging ceilings and dicey floors mended with anything that had come to hand. However the welcome from the camera crew and other staff was amazing. Our fleeces and polo shirts were waiting for us, we were a blue team. Our opposition, the red team, were a mother and son from Shaftesbury. Two programmes were being shot that day and the other blue team were a lovely couple from Ludgershall who work at the hospital. Plenty of coffee and biscuits and home made cake on offer.

The presenter for the programme, Caroline Hawley, came to introduce herself once we had had a health and safety talk. She proved to be a charming and friendly person making us feel at ease throughout the day. Narissa (my granddaughter) and I were the first team to be filmed. Down among the cabinets we were fixed with our 'mikes' and then the surprise moment when we were confronted by our expert, Stephanie Connell. Then we were surprised again, and again. Trying to look surprised each time was quite hard.

We were given our £300 to spend on three items, one of which must cost over £75 and another which had to comply with our expert's challenge, a piece of blown glass! You would think that a piece of glass would be easy but everything we seemed to find was moulded. The clock is started, we have an hour. The camera follows us around and when we do not hold the item chosen correctly so that it is visible the clock stops and we do the shot again. Clock starts and off we go once more. After a while you forget about the camera crew and become really focused on your mission. Trying to make a bargain was quite difficult as we had no contact with the vendor and deals had to be done on the telephone by the antique market staff. They were helpful and we did get quite a good markdown.

Then it was lunch time. Sitting in the garden with the crew and experts, so very

relaxed and friendly and meal provided. A lot more sitting around until it was time for the handover of remaining money and our preference of our items. A long day 7.45am to 6.00pm, but it was fun.

The items were taken away to be catalogued by the auction house ready for the auction in ten days time. Four more teams were being filmed the next day at Newbury Racecourse where contact was with the stallholders and getting a good bargain was potentially easier.

The following week we were in Newbury for the auction. This time all eight teams were present, hoping for a good result. Down in the sale room we could not see the bidders only the auctioneer, Thomas Forrester. Our items were auctioned alternately with other pieces in order for us to do the chatter in between. A tense moment when the first object came up for sale, I am sure I was making dreadful faces in anticipation. I know I grabbed Narissa's hand at one point.

After the sale we had to gather on the lawn outside to do the result and inevitable kick. Everyone was hugging and saying goodbye. We had good photos with Caroline and Thomas who were very happy to pose with us.

Apparently the BBC have 2000 applications a week for the show, even as far afield as Australia and Canada, so we were very lucky to be chosen.

We came home with a fleece, a polo shirt, a travel mug, a pen and a keyring, so plenty of reminders of our happy, fun time filming Bargain Hunt. We are not allowed to divulge the result of our efforts. The screening should be about Christmas time or just before. We will be given two weeks notice of when it will be shown. I will let you know!

Sally Leaver



REMINDER

Dogs are not allowed in Bishopstone's Children's Play Area or on the rest of the Recreation Field.

We are very lucky in Bishopstone to have a wealth of beautiful tracks and footpaths where dogs can be exercised. Taking a dog onto the Recreation Field is anti-social and, even if you clear up after them, poses a health risk for other users, particularly young children.

Please, please take Fido elsewhere!

Stratford Tony

The Ebble flows where land has led,
Sheep fill the fields that circle here.
Inhale the air, so cool and clear.
The land is riven, scalped and healed.

The hamlet lies beside the stream,
On chalk and flint its native bed.
The Ebble flows where land has led
Its bubbling waters. Trout and bream
With bullhead, lamprey, crayfish teem.
The Saxon church upon its hill;
Eight hundred years since it was built,
Seen births and deaths where blood's been spilt;
Is cold and empty, stands here still,
No longer can its role fulfil.

Sheep fill the fields that circle here,
Breaking the air with bleating notes,
Still swaddled in their winter coats,
Await the coming day of shear,
When men with clippers will appear.
Some aging horses stand and graze,
Dim in the misty morning haze,
With patchy coats on winter backs
Resting from years of quiet hacks
Along the droves on summer days.

Thank you to Colin Stern of Stratford Tony who has sent us this poem he wrote about his home. It's written in the form of a decima, a popular South American poem structure.

Walkers along the Broad Chalke vale
Stop to admire the landscape here,
Inhale the air, so cool and clear,
Admire the downs, their sweep and scale,
And journey on their chalky trail.
We curse the bikers snarl and snort,
As they roar up the muddy lane.
Of beast and bird the byway's bane,
Pursuing their destructive sport.
Their wounds to wildlife need report.

The seasons slowly make their round,
As crops sprout up and bear their fruit,
And then the plough. New crops take root,
Searching among the stony ground.
For there is comfort to be found
Between the hedge and trees, the field
Brings harvests which support us all.
And so it goes, from spring to fall
As Nature's burgeon is revealed,
The land is riven, scalped and healed.

Did you know that the Valley has its own Facebook page?



If you are on FB do join
Chalke Valley Families.

(Remember to answer the questions when you request to join)

Notes from a Nutritionist

After the last burst of summer at the beginning of September we are now well into Autumn and the leaves are starting to fall alongside the temperatures. It's the time of year when we begin to crave heartier dishes such as this month's **Mushroom Risotto**.

October is the season for wild mushrooms and a huge variety are available in markets and some of the bigger supermarkets. Mushrooms are widely known for their amazing health benefits as they are packed with essential vitamins and minerals, but did you know that wild mushrooms that have been exposed to daylight contain significant amounts of vitamin D?¹ (*unfortunately this is not the case with most commercially produced mushrooms as these are grown in the dark*)

Vitamin D is not only important for a healthy heart, good immunity and strong bones, but scientists now believe that it is also a powerful anti-inflammatory agent. Government advice is that everyone should consider taking a daily vitamin D supplement from the beginning of October to the end of March, but it is helpful to top up with food sources where you can.

When making the risotto, try to use a selection of wild mushrooms such as Oyster, Maitake (also known as Hen of the Woods) and Shiitake mushrooms as these will contain the most vitamin D. Only forage for your own mushrooms if you are certain that what you are picking is safe. To top up the vitamin D levels of button or chestnut mushrooms, slice them up and, if possible, leave them outside in the sunshine for a couple of hours before using them, as this allows them to make their own vitamin D.

Whenever you increase your intake of vitamin D, you should always make sure you are getting plenty of vitamin K2 as well. While vitamin D improves the absorption of calcium from food, vitamin K2 is important for directing that calcium to your bones. Vitamin K2 is found in leafy greens such as the spinach or Swiss chard in this recipe, fermented vegetables such as sauerkraut, and in egg yolks, liver and cheese.

Garlic and onions are also considered to be anti-inflammatory superstars. Sulphur compounds in garlic are believed to lower the production of inflammatory proteins in the blood, whilst quercetin in onions, helps to inhibit inflammation of the joints.

Finally, the olive oil in this recipe is a healthy plant-based oil that is thought to have anti-inflammatory effects similar to those of ibuprofen². Store olive oil in the cool and dark (it will go rancid if exposed to light and heat) and use for cooking, or as a food dressing.

I hope you enjoy this month's Autumnal recipe. As ever, if I can be of help in any way, please get in touch at amber@ambercotton.co.uk.

Best wishes, Amber

1. Cardwell G, Bornman JF, James AP, Black LJ. A Review of Mushrooms as a Potential Source of Dietary Vitamin D. *Nutrients*. 2018 Oct 13;10(10):1498.

2. Parkinson, L.; Keast, R. Oleocanthal, a Phenolic Derived from Virgin Olive Oil: A Review of the Beneficial Effects on Inflammatory Disease. *Int. J. Mol. Sci.* 2014, 15, 12323-12334.

Recipe of the Month - Mushroom Risotto

Serves 2

- 25g dried porcini
- 1 vegetable or chicken stock cube
- 2 tbsp olive oil
- 200g mixed wild mushrooms, chopped
- 25g butter
- 3 shallots, finely chopped
- 1 clove garlic, crushed
- 150g arborio rice
- 1 glass white wine (optional)
- 100g spinach or Swiss chard (chopped)
- 50g pecorino, finely grated, plus a little extra to serve
- 1 lemon, zested



METHOD

- Put the porcini in a small bowl, pour over 300ml boiling water and leave to soak for 15 minutes. Strain the liquid through a fine sieve into a jug and top up with boiling water to 600ml. Crumble in the stock cube or stir in 1 tsp of stock powder or liquid. Roughly chop the porcini and set aside.
- Heat 1 tbsp of olive oil in a wide, shallow, non-stick pan and add the wild mushrooms. Fry, keeping the heat fairly high, until the mushrooms have turned golden and shrunk a little (this will help concentrate the flavour). Scrape the mushrooms out of the pan into a bowl and give the pan a wipe.
- Add 1 tbsp of olive oil and the butter to the pan and cook the shallots and garlic until softened. Add the porcini and risotto rice and stir until coated. Tip in the wine and simmer until it's all absorbed. Gradually add the porcini stock liquid, stirring constantly until the rice is almost tender, then add the wild mushrooms. Add the last of the stock along with the spinach or Swiss chard, pecorino and lemon zest. Take off the heat, put on a lid and sit for 5 minutes before serving in bowls with extra cheese, if liked.

Much Rambling with Jazzie



Well, I have to say that dear Jazzie is none too well pleased with the fertiliser being laid on the fields in early August! What a frightful pong! Where is the lovely, warm, fruity odour of the old-fashioned cow deposited slurry? We really miss this as we ramble, both disappointed with the new aroma. "Fings aint wot vey used ter b!" However, the village horses deposit plenty of really fruity stuff on the road as we ramble, much to J's olfactory delight. Thanks to you horse riders, and also from the roses!!

Otherwise, we have been enjoying the sun and sheltering from the rain, and in between we have tried to keep control of the lawn. Mowing is becoming a bit of game, to get it done before the next shower, and now we must mow, and mow and prune and glow!!

Nonetheless the garden continues to produce: French beans, tomatoes, courgettes, spuds, rhubarb, and cucumbers aplenty. The onions are coming along well, and the dahlias, roses, and agapanthus are alive with colour and bees. The bees and butterflies have been having a wonderful time with all the heat and flowers, a delight for us all.



Very good to see the progress with the new house in Croucheston as it emerges from the builders' skills. Good to see them using brick and flint, as it is also good to see the new handrails and repairs to the path on the track from the Two Bridges to Croucheston Mill beside the river. It makes it much safer for me, but a bit less interesting for Jazzie. Many thanks to the Ramblers of Wiltshire, and to the PC for their support!



It was a pleasure in August to welcome two new clergy to our services, while Jenny had a rest in France! Thanks to Katharine Robinson and Katharine Rumens for their inspiring and enjoyable services. We hope you will join us again. The SGA Exhibition in the Library was also a success, and many works were sold, even the Market Square!

We have now spent a good week in Brittany and Normandy with excellent weather and visited some old haunts to bore Jo! Here's a quick sketch from Pontivy! Jazzie was not so lucky stuck in kennels, but she emerged in good spirits and very keen to get back home. Since then, she has enjoyed walks, even blackberrying, a bath, and is due now for her autumn hair-do next week!



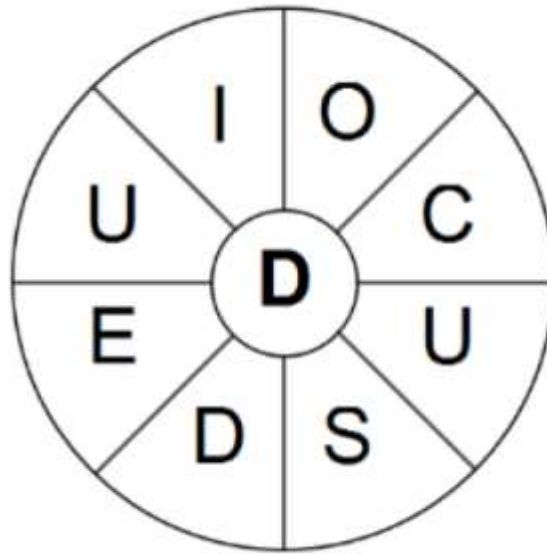
It is good to be home again despite the present autumn rain, but more sun is promised for the end of the month. Good walking, and we look forward to seeing more friends very soon!

Remembrance Sunday is on 12 November, see the separate notice for details. The Poppy Appeal collectors will be visiting before then, so please keep some cash ready for them!

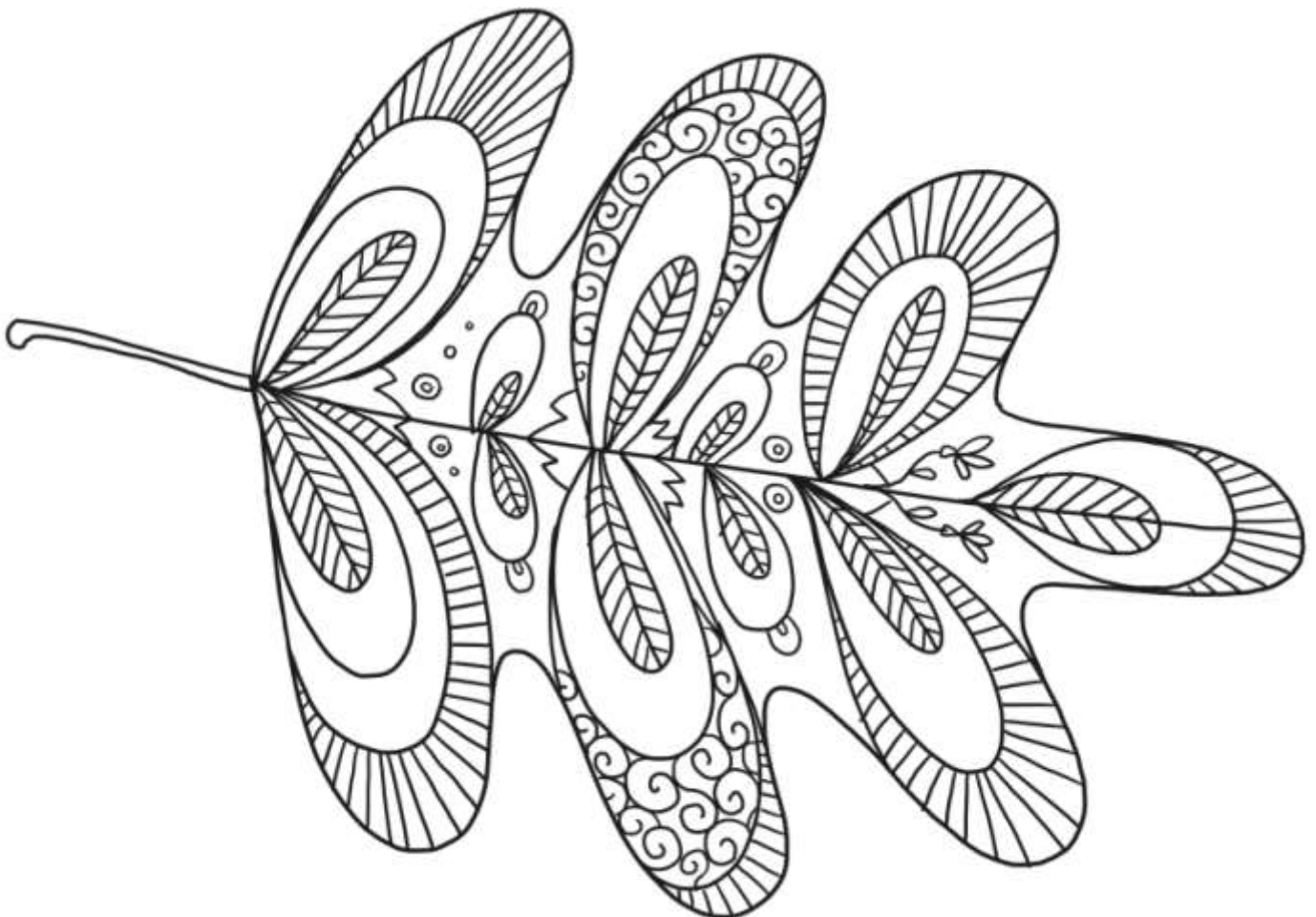
James Thompson 20/09/23

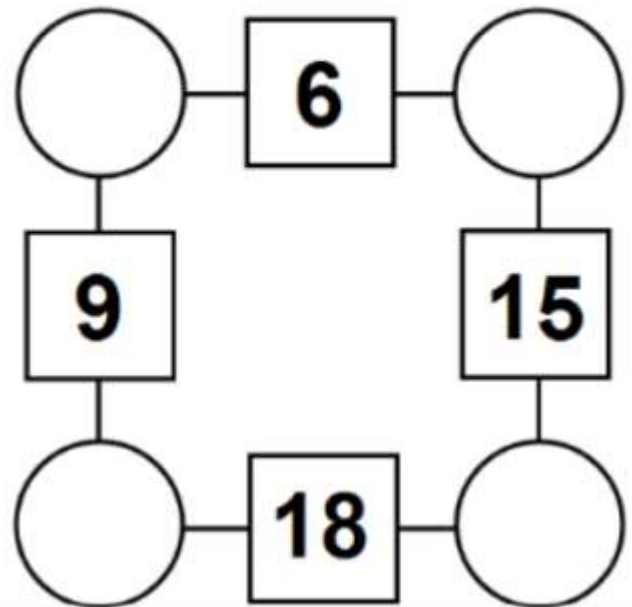
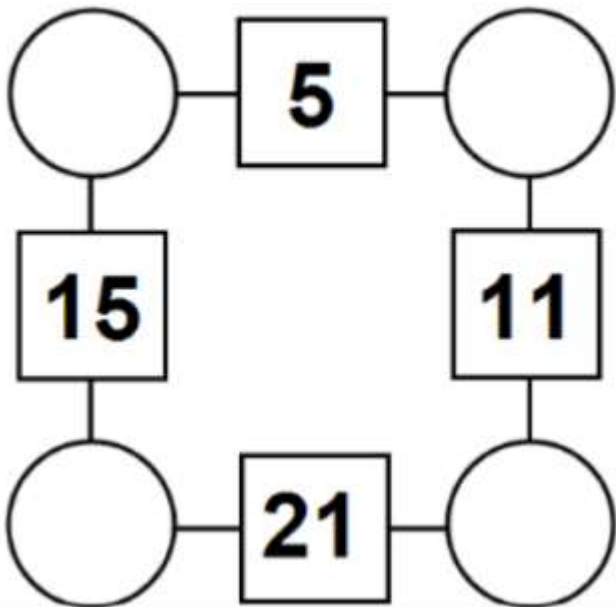
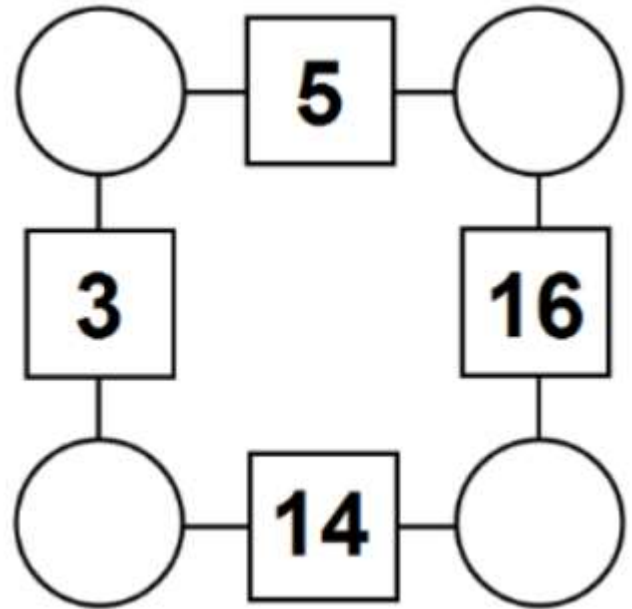
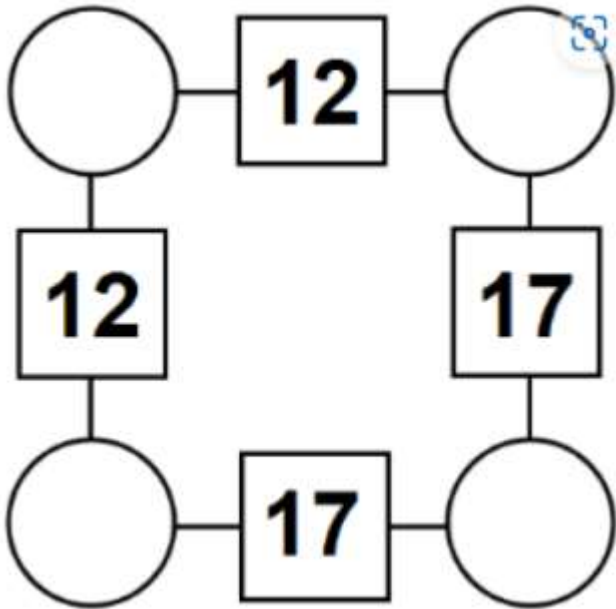
Puzzles and Activities

By Kate Pendleton



This Autumn themed word wheel is made from the letters in the word **DECIDUOUS**. Try and make as many words of any length as you can from these letters. You can only use each letter once, and each word must include the letter **D**.





The aim of an Arithmagon is to work out which numbers go in the empty circles. The numbers in the square boxes are made by adding together the numbers in the circles either side. For example, if the number in the square box was 10 you could try 6 and 4, but the numbers must also add up on the other edges, making this more difficult than it first appears.

Ebble Notes - Late Summer Moths

I always thought that moths were nondescript beings mostly seen in the dark, but a couple have recently caught my attention. One showed up in the kitchen in broad daylight, another having been found the week before in a bedroom frightening a child.

This was a Red Underwing. If you see one, you will know why. It had a wingspan of 3 in. (nearly 8 cm.) – very impressive. Apparently they are relatively common in the South of England and their caterpillars feed on poplar or willow, which we have in abundance. However, they can be very difficult to spot.



Red Underwing Caterpillar

The second is the Emperor Hawk Moth. Unfortunately, although common, I haven't seen one recently, but have found 3 of their caterpillars, one form of which is impressive in their own right with what looks like a head with 2 enormous black eyes and a length of nearly 3 inches. They were feeding on rose-bay willow herb. This is one of the few benefits of not totally clearing this abundant intrusive large weed. However, I have also found a plainer green form of caterpillar. Apparently they can choose which colour to use based on potential predators and the green form can have the striking dark features as well. In a way the mature moth is not quite as eye-catching as its caterpillar, but still unusual being pink and tan with a wingspan of around 2 in. (45-60 mm).

Two forms of Emperor Hawk Moth caterpillar pictured, along with the moth itself



ChalkeyD

Police Bulletin

*A monthly newsletter from
Philip Wilkinson, Police and Crime
Commissioner for Wiltshire.*



PCC Philip Wilkinson says progress has been made but more needs to be done to tackle agricultural thefts by organised crime groups (OCGs) as PCCs and their retrospective forces across the country mark National Rural Crime Action Week.

In Wiltshire, the Rural Crime Team cover all heritage and wildlife crime including theft of livestock and machinery, fly tipping, poaching and hare coursing to name a few. However, we are seeing OCGs increasingly engaged in rural acquisitive crime, including burglary and the theft of farm vehicles and equipment.

Mr Wilkinson said: “When I took over two years ago, I doubled the size of the rural crime team and gave them specialist equipment and more appropriate vehicles, including a night vision capability and drones.

“However, we need to further build our capability to tackle those organised crime groups (OCG) engaged in acquisitive rural crime, not only in Wiltshire but further afield. I want to help build the capacity of police forces across the south of England - not just in the South West - by working collaboratively with our neighbouring forces and blurring the lines between county borders.

“This will enable us to better understand the networking of these OCGs so that we can engage more proactively in enforcement, interdiction and disruption operations when the intelligence and evidence allows.”

The National Rural Crime Network (NRCN) has commissioned research into this link between rural crime and organised criminal gangs, and preliminary evidence suggests that rural crime is being used by gangs to fund other criminal activities including links to the international drugs trade.

In June, PCCs across the South West came together to launch the Rural Crime Survey to explore how crime is affecting rural communities.

The survey asks rural residents if they have been the victim of any crimes in the last 12 months as well as asking what rural crimes concern them the most.

You can take the survey online at: <https://www.surveymonkey.co.uk/r/RuralWS>

Charity News and Events

Salisbury Rotary Needs Your Help

Salisbury Rotary Club is a registered charity and offers you a great opportunity to get involved in supporting your own community.

We don't ask much - just your time, skills and experience - to help when and where you can - to support those who are not so fortunate in life. We need new members so we can provide even more help where it is most needed.

We have fun and social events as well as trying to make a difference in so many ways - be it environmental projects, supporting the next generation through youth leadership projects, volunteering and running local events, and some fund raising too.

salisburyrotary@gmail.com

01722 417411

Alabaré Firewalk!

Local charity Alabaré provides support and accommodation for people who are vulnerable, homeless or at risk of becoming homeless across Wiltshire and the South West.

If you are feeling adventurous, we are holding our second Sponsored Firewalk on the evening of Friday 20th October at Alabaré's Old Sarum Development Centre! Back by popular demand, it's an incredibly empowering and motivational (if hot!) experience, when you will walk across hot coals whilst raising funds to support Alabaré. There will be an introductory session during the evening to prepare you for the walk itself and afterwards you will feel you can take on anything!

You can find out more and book tickets from the website alabare.co.uk/get-involved/events or email Helen at supporter-care@alabare.co.uk *Helen Inglis*

ROCKBOURNE FAIR - SAVE THE DATE

*Salisbury Racecourse
Weds 18th - Fri 20th October (late night shopping on Thurs 19th)*



CHILD CAR SEAT CHECKS
Wednesday 4 October
Nadder Centre,
Weaveland Road, Tisbury
SP3 6SJ
10am - 3pm
FREE to attend - No booking needed

Pop along & get expert advice on choosing & fitting the right car seat for your child & vehicle

Wiltshire and Swindon
ROAD SAFETY
PARTNERSHIP

CHILD SEAT SAFETY
A FREE CAR SEAT CHECKS SERVICE

Wiltshire Council

The poster features a circular inset image showing a person's hands adjusting a child's car seat harness. The background is a light blue color.

Carer Support - Carer Cafe

Our cafes are a great way to make new friends and enjoy a cuppa, cake and a chat with others in relaxed, friendly surroundings. Come when you can and stay for as long, or as little as you like.

Broadchalke – 2nd Wednesday of the month

Venue: The Hub, High Road, Broadchalke, SP5 5EH

Time: 2.00pm – 4.00pm

Dates: 11 Oct, 8 Nov, 13 Dec, 10 Jan, 14 Feb, 13 March.



Events & Special Offers

Book Now 01722 780244

***Steak Night – every Tuesday**

***Fish & Fizz Night – every Friday**

***Quiz Night the Last Thursday of every Month**

(Free Entry & Winning Team Receives a £25 Meal Voucher)

Ciderfest - Saturday 8th July

(see separate advert)

Coombe Bissett Stores and Post Office

Homington Road • Coombe Bissett • SP5 4LR

shop@coombebissettstores.co.uk • 01722 718852

<https://www.facebook.com/coombebissettstores>

Open Monday to Friday 7:00am to 6:00pm, Saturday 7:00am to 1:00pm, closed Sunday and Bank Holidays

When the shop is open, so is the Post Office

Sampson Coward
SOLICITORS

with

Whitehead Vizard

Legal Excellence



→ Family → Employment → Property
→ Litigation & Disputes → Commercial → Wills & Probate

St Mary's Chambers, 51 New Street, Salisbury, Wiltshire SP1 2PH

t: 01722 410664 e: mail@sampsoncoward.co.uk

www.sampsoncoward.co.uk



Our expert Wills, Probate and Estate Planning department can advise and support you when it comes to protecting your family for the future.

Will Writing
Lasting Powers of Attorney
Trusts
Probate
Estate Planning
Inheritance Tax

Contact the team today to find out how we can support you.

Because your family matters

45 Castle Street, Salisbury, SP1 3SS

01722 412000

www.parkerbullen.com

PARKER
BULLEN
SOLICITORS

Parker Bullen LLP is authorised & regulated by the Solicitors Regulation Authority SRA number 535414



BASED IN FOVANT

01722 714308
07541 358570

- Local
- BPCA trained
- RSPH qualified
- Sensible pricing
- Fully insured
- Reliable
- Discreet
- Evening & weekends



www.greystonespestcontrol.com

michael@greystonespestcontrol.com



Your local property expert

No-one understands the local property market as well as us. We provide our clients with the very best representation and provide a service without compromise. We're here for you, whatever you need.

**WOOLLEY
&
WALLIS**

Salisbury

01722 424524

w-w.co.uk



TATNER and CO

TRADITIONAL AND MODERN UPHOLSTERY

Our bespoke upholstery services include:

Dining Room Chairs	Roman Blinds	Campervan seating and Rock and Roll beds
Arm Chairs (including Parker Knoll)	Curtains	Classic car seating
Outdoor/garden seating cushions	Scatter cushions	Caravan and motorhome seating
Bench seating (kitchen, bar and restaurant)	Box Cushions	Ottomans and storage boxes
Footstools (including made to measure stools)	Headboards	

Contact Michelle Tatner on :

MOBILE : 07968 842525

Facebook : Tatner and Co

EMAIL: tatnerandco@gmail.com



Instagram: tatner_and_co



FLAMSTONE LOGS

Air & Kiln Dried Logs for Sale

Various load sizes available

Tree Surgery Services

NPTC Trained - Fully Insured - Public Liability

For further information or a free quotation

Please Contact

John 07768 894043 or Henry 07807 892510

Your local garage **Bow Engineering** (formally **Robin Higdon Motors**), based in **Bishopstone**.

Offering expert services and customer care at competitive prices.

Call Lee for all your vehicle needs – 07876 141212



- ✕ Servicing
- ✕ Repairs
- ✕ Diagnostics
- ✕ Welding
- ✕ New engines/ gearboxes etc
- ✕ Electricals
- ✕ MOTs arranged

Diligent Master Technician with 20+ years experience working for main dealerships (Land Rover, Mercedes and BMW/Mini). Specialising in Land Rover but tending to all makes and models.

Bow Engineering Limited | The Unit Croucheston Farm | The Cross | Bishopstone | Salisbury | SP5 4BW
07876 141212

Wessex Contract Services

*Fencing, Landscaping,
Ground Care & Maintenance*

Lee Curtis

Tel: 01722780842

Mob: 07875018317

Email: lee@wessexcontractservices.co.uk



GRAHAM DIMMER MOT CENTRE

MOT Tests on all types of vehicle up to 3,500kg
Servicing & General Repairs on all makes & models
Including **camper vans**
Specialist vehicle diagnostics
Air Conditioning repairs & re-gassing
Electronic Wheel Alignment
Free Courtesy Car

01722 328344

Avon House, Newton Road, Churchfields Salisbury, Wilts SP2 7QA

Email: info@grahamdimmermot.co.uk

www.grahamdimmermot.co.uk

S. WALLWORTH ELECTRICAL SERVICES LTD

FULLY QUALIFIED ELECTRICIAN, EMERGENCY REPAIRS

INSTALLATIONS – RE-WIRES, ELECTRICAL REPAIRS & TESTING

EXTRA SOCKETS & LIGHTING, NIGHT STORAGE HEATING, ELECTRIC SHOWERS

DOMESTIC & COMMERCIAL



FREE QUOTATIONS.

SIMON WALLWORTH

31 DEAN LANE, SIXPENNY HANDLEY

SALISBURY, WILTSHIRE

SP5 5PA

TEL: 01725 552545 MOB: 07826 928759

S.WALLWORTH@HOTMAIL.CO.UK



For all your pest issues, Local, fully insured, fully qualified BPCA Member
Wasps, Rats, Mice, Cluster fly, Clothes Moth, Fleas, Squirrels, Bed bugs
Call now- **07711 259749** Email- **info@wiltshirepestservices.co.uk**

A stylized flame logo with a black outline and a yellow and orange center, set against a white background.

Ben Ridgers-steer
Oil Boiler Servicing
and Repairs

The OFTEC logo is a green triangle containing a white stylized flame or leaf-like shape, with the letters 'OFTEC' in white below it.

07534 262633
Ben_r_s@hotmail.com



GARDENS | WILDLIFE | COUNTRYSIDE

Helping your garden realise its full potential

- Professionally designed gardens
- Full or partial redesign service
- Planting Plans
- Garden advice and consultancy
- Wildlife and countryside advice
- Increase your property value




eleanorobornegardendesign.com
eogardendesign@gmail.com 07732003557
Chalke Valley




For all your foam requirements,
seat pads, sofas, camper vans
and much more...

Upholstery fabrics also available
Just give Katrina a call

 07810661000

 info@khsoftfurnishings.com

 www.khsoftfurnishings.com

**BY APPOINTMENT
ONLY**

Oakley Business Park
Dinton
SP3 5EU

SELF STORAGE FACILITY



Safe, secure & convenient

Self-storage units for domestic or business use

All sizes available

On the A354 near Sixpenny Handley

Phone David 07971 869372 or Steph 07748 925810

01725 552557

Or email: info@dorsetandwiltsstorage.co.uk

www.dorsetandwiltsstorage.co.uk

Come and join the fun at

Breastfeeding Support at this group
www.callyedwards.com

Bishopstone Playgroup

Term-time Fridays 9:30-11am, in Bishopstone Village Hall (just down the road from the White Hart pub)

£2 for one child, £2.50 for 2+
Includes tea and coffee for adults and snacks for all!

Find us on Facebook at 'Bishopstone Playgroup'

PosterMyWall.com

CB

Coombe Bissett CE VA School Parent and Toddler Group

Come and join us on the third Friday of every month. A chance to make new friends with plenty of songs, stories and fun for our younger visitors!

Open to under 5s and their carers.

A warm welcome is extended to both current members of our school family and families in the wider community. Please let your friends know!

9.30-10.30am
17th November and 15th December

CB

Heart Of The Home Wiltshire Ltd.

Woodburning Stove Installations

- Friendly & Experienced team
- HETAS qualified and fully insured
- Woodburning Stove & Eco log supply



Get in touch: heartofthehome@hotmail.co.uk

www.heart-of-the-home.co.uk

NAOMI OOSTHUIZEN

LETTING CLUTTER GO

Professional Declutterer and Organiser

Services Included:
Declutter & Organise
the Home
Sorting Paperwork
Finding the Garden &
Outbuildings

Are things growing out of
control?
Would you like to feel
happier in your own home?
If you are feeling overwhelmed
at home from your belongings,
whether from a normal
busy life, a family crisis
like a loss of someone
close or a relationship
separation to moving house,
I can help you find your
way through it.

www.lettingcluttergo.co.uk
07900795158
naomi@lettingcluttergo.co.uk

Fully insured, DBS checked, and
member of APDO (www.apdo.co.uk)



Coombe Bissett Stores and Post Office

Homington Road • Coombe Bissett • SP5 4LR
shop@coombebissettstores.co.uk • 01722 718852

- Kiln Dried Logs, Kindling and Flamers in stock
- Look out for our multibuy offers!
- We also sell ECoal, local compost and Calor Gas
- FREE local delivery service available, please ask for details

Open Monday to Friday 7:00am to 6:00pm, Saturday 7:00am to 1:00pm, closed Sunday and Bank Holidays
When the shop is open, so is the Post Office

Request from the Editorial Team:

If you use any of the services advertised here in STaB please do let them know that you found them/their details here in the magazine. This helps them to know that their advertising is working, and helps us to continue to receive revenue from advertising fees.

Also, if you know of any local businesses that might be interested in advertising with us, please do pass on our details to them.

LITTLE BANKSIDE

www.littlebankside.co.uk

Do you need extra space for visiting family & friends?
Self contained studio holiday let for 2 in Bishopstone.

Contact:
Hilary King
littlebankside@gmail.com
01722 780017

PODDINGTON COTTAGE

A newly refurbished one-bedroom detached annex in Bishopstone available for short Holiday Let. Well behaved dogs are welcome - maximum of 2 dogs. Fully fitted kitchen, parking for 2 cars, lounge with smart tv, Wi-Fi, dining area and shower room.

For more information, please contact Sandra on 07939626155 or email:

poddingtoncottage@btinternet.com

A warm welcome awaits.

Matthew Veale

Mobile Hairdresser Available 6 days per week

Reliable friendly service London Toni & Guy trained

Please call 01722 336821 or 07788 686829



Your local property expert

w-w.co.uk



Comfortable and cosy self-contained accommodation.

Little Bridge Studio

Bishopstone

Sleeps 3 plus cot.

Large open planned living space with wood burning stove.

Shower room and separate bathroom.

Contact: Alice Lyons - 01722 781137 or 07811455756

Jayne Lucas Hairdressing



I cover all aspects of hairdressing for adults and children in a lovely relaxed salon setting near Coombe Bissett with easy free parking.

For enquiries & bookings please call:-

07771 625161

Maddy's Mending

ALL ALTERATIONS AND MENDING, FROM
BUTTONS TO BLINDS, CURTAINS TO CUSHIONS

No JOB Too Small!!!

CALL Maddy ON: 01725 519504 OR
0777 4207 423

FREE COLLECTION AND DELIVERY

Charlotte Steel VTCT, IIHHT, Member of FHT

Complementary Therapist

The Chapel, Church Street, Bowerchalke, Salisbury SP5 5AY

Tel: 01722 780107 Mobile 07811 944328, [email cjsteel92@gmail.com](mailto:cjsteel92@gmail.com)

Hot Stone Massage: Full Body (90 minutes) £65, Back (1 hour) £50

Aromatherapy/Swedish Massage: Full Body (90 mins) £60, Back (1 hour) £45

Reflexology: Initial Consultation £38, Further Treatments £35

Facials: (including 15-minute back massage, 75 mins) £60

Peaceful therapy room with plenty of parking

Gift Vouchers Available

METAL ARTWORK

BLACKSMITHS & GENERAL ENGINEERS

01722 781212

www.metal-artwork.co.uk



Pregnant?

Looking for evidenced-based childbirth education?
Considering having an extra birth partner?



A doula can...

- Stay with you throughout labour and birth to help you achieve your specific choices
- Offer 1:1 breastfeeding and general feeding support
- Provide help at home for those first few days and weeks after birth

Doula Cally Edwards offers emotional and physical support to help you truly enjoy your pregnancy, birth and early days with your new baby



www.callyedwards.com

   @doulacally

Amber Cotton

Nutrition & Health

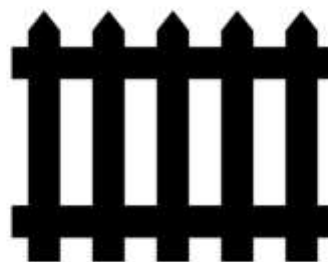
BSc (Hons), diplON, mBANT, mCNCH

Registered Nutritional
Therapist

Please get in touch if you'd like to find out
how you can use the power of delicious food
to support good health

07435 520 772
amber@ambercotton.co.uk
www.ambercotton.co.uk

Ebble Fencing



- Bespoke Fences and Gates
- Professional Service
- 20+ Years Experience
- Fully Insured
- Free Quotations

07789 707959

www.ebblefencing.com

evolve

TREE SERVICES

call Stuart Larter for a free quote

07563 645043
01747 871753



Tree Specialist,
Fully Qualified and Insured

www.evolveetree.co.uk



Boiler Servicing & Maintenance

- Breakdowns - Repairs - Oil - Gas
- LPG -

Mark Benfield

01747 828689 or 07974 249287

mark@mabheatingservices.co.uk

Jennie Gilbert – Pottery

I make Stoneware pots for the home.
Perfect presents for you or your friends.
You're very welcome to come and visit
the workshop.

I also run 2 day pottery courses,
please call or email for details.

4 St. Martin's Workshops
Manor Farm
Fifield Bavant
Broad Chalke
Salisbury
SP5 5HT

01722 780402

www.jenniegilbert.com

jennie.gilbert@yahoo.co.uk



GRAY'S BESPOKE STONE MEMORIALS CARVING & STUDIO INSCRIPTIONS

Creating memorials of
celebration and commemoration

for more information visit:

www.grays-stone-carving.co.uk

or call tel: 07766464048

Unit 2 Knowle Farm, Bowerchalke, SP5 5BP

Pod & Pip

Workshop Open

Wednesdays 10-2pm

Thursdays and Fridays 10-4pm

Saturday 930-1230

Fresh Flowers, Plants, Cards, Candles & Gifts

Pre-ordered bouquets for local
delivery/collection

Flower Workshops, Wedding & Funeral
Flowers

Ebble House, Stratford Tony 07766775869

www.podandpip.co.uk

Kevin Knight Clock & Watch Repairs

Free estimates given

Over 30 years experience

Tel 01722 331969

Mob 07900 928451

Email:

kevindavidknight@gmail.com

HIGH SPEC WINDOW CLEANING

Other Cleaning Services Include:

- Gutters
- Fascias
- Driveways
- Patios
- Conservatories
- Walls
- Greenhouses
- Cladding
- Solar Panels
- Paths

T: 01425 650894

M: 07879 426914

www.hs-cleaning.co.uk

Tim Saunders Plumbing & Tiling Services

Complete Kitchens, Bathrooms & Wet rooms
Tanks, Cylinders, Pumps, Valves & Radiators
Taps, Basins, & Toilets

Unvented hot water system installation, repair
& servicing (G3 certificated)

Stuart Turner approved installer

Disabled/assisted living zero vat
installations/conversions

Wall & floor tiling

Free advice and estimates

Emergency repairs. No call out fees

Fully insured

07772 610190

Email: timsaundersps@gmail.com



2023 Advertising rates – based on A5 page

Our magazine is a source of information for all households in the parish used by residents as a handy directory of local news, events and services. It is delivered free to over 300 households, and also viewable online at <https://www.bishopstone-salisbury.co.uk/parish-magazine-stab>.

Prices below are per annum in bold. There is a significant discount for advertisers who choose to pay for all ten editions in advance (Aug/Sep & Dec/Jan are joint editions).

Full page 13x19cm £120 per annum	Half page 13x9.5cm £75 per annum	Quarter page Portrait 6.5x9.5cm £40 per annum	Quarter page Landscape 13x5cm £40 per annum
--	--	---	--

One off/occasional advertisements will cost slightly more per issue as follows:

<i>Full Page: £15.00 per issue</i>	<i>Half Page: £9.00 per issue</i>	<i>Quarter Page: £5.00 per issue</i>
------------------------------------	-----------------------------------	--------------------------------------

How to place your ad in STaB

1. Make a .pdf, .jpeg, or Word file of your ad, making sure it is the correct size for publication (see table of sizes and prices above) and that it will reproduce well in black and white. We cannot design or make advertisements for you.
2. E-mail the file to Rob Pendleton (stabads@outlook.com), stating which of the above sizes you would like.
3. The deadline for publication is the 15th of each month. Please send ad as early as possible as the e-mails will not be checked daily. If you do not send a new ad by this date, we will use the most up to date version we have.
4. When you have placed your order, you will receive an invoice with details of payment by cheque or bank transfer. Please pay within 14 days and make sure you include your reference number and business name. Donations are also always welcome.
5. The Editor reserves the right to edit all contributions.

How to pay:

Cheques: Please write your <u>invoice number</u> on the back	Bank transfer: Please use <u>your name</u> & <u>invoice number</u> for reference
Payable to: Bishopstone Parochial Church Council Send to: The Treasurer, Ebble Cottage, Mill Lane, Bishopstone, SP5 4BG	Bank: Lloyds TSB Sort Code: 30-97-41 Account Number: 00665145 Account Name: PCC Bishopstone Church

Terms – payment within 14 days

BISHOPSTONE PARISH COUNCIL

Councillors	Telephone
Ali Thorne (Chairman)	07768 514133
Piers Edwards (Vice Chairman)	01722 780079
Norman Barter	01722 780471
Anita Smith	01722 781213
Michelle Tatner	07968 842525
Simon Williams	01722 780905
Nicky Rigg	07786 806914
Parish Clerk	
Mike Ash Lower Thatch Flamstone Street Bishopstone SP5 4BZ	01722 781044 bishopstoneclerk@btinternet.com
Further information is on the village website: www.bishopstone-salisbury.co.uk	

THE VILLAGE HALL COMMITTEE MEMBERS

Chairman - Norman Barter	780471
Treasurer - Francis Taylor	780316
Secretary - Sue Grantham	07873 596310
Entertainments - Sue Taylor	780316
Event bookings - Caroline Ash	781044
Hall bookings - Margaret Barter	780471
Hall maintenance - Nigel Peasley	780713
Minute secretary - Virginia Middleton-Smith	780444
Member - Andy Stocker	780956
Member - Kathy Hales	07940 659644

The Village Hall is an important resource and offers a venue for a wide variety of events for the benefit of all. The Hall is supported by a large group of dedicated local people in addition to the Committee. We hope you will support events whenever you can and if you would like to join the wider group of Friends of the Village Hall then please contact any member of the committee.

Bishopstone Village Website

www.bishopstone-salisbury.co.uk

The village website carries a wealth of information about Bishopstone. There are pages devoted to the church, the Parish Council, what's on at the Village Hall, meetings, clubs, local organisations and village walks. There are even digital copies of this magazine.

If you want to have any information included on the website please contact either

Mike Ash (bishopstoneclerk@btinternet.com)

Or Roger Stockton (rogerstockton@icloud.com)

Letters to the Editor

Letters to STaB are very welcome, but the views expressed may not be those of the editorial team or the Parish Church Council.

A Bishopstone resident has passed on to us a rather lovely e.mail that she received recently, following a visit to the Chalke Valley by a couple from Scotland. How nice to read such appreciation for our village and those who keep it a thriving, sociable place to be.

It is so long since we visited Salisbury and Bishopstone from Aberdeen that possibly the significance of what I wanted to pass on to you might now be lost. I do hope not.

Having only spent a year in the village as a 9 year old, albeit with the headmistress of the village school, it was possibly a bit of a stretch to gatecrash the community coffee morning in the village hall, where we met you!

Fortune favours the brave and it was our good fortune to be received warmly and experience a bit of rural community spirit at its best, as well as a welcome cup of coffee. It was heartening to see that community does still matter and that folk are still actively striving to maintain that sense of belonging and support. Wonderful!

The other thing I promised to do was to pass on our thanks to whoever had decided the work needed doing but also to whoever performed that work, of cutting back overgrown trees in the churchyard. The significance to me was that having visited two days earlier and having found my Great Grandfather's gravestone partially covered with low yew tree branches to have returned to lay flowers and find the branches all cleared was almost like Divine intervention!

Bishopstone is clearly thriving and the place that has a special part in my family and my past is obviously in safe hands.

On a personal note, thank you for making us so welcome and all the chat.

All our very best,

Chris and Suzanne

STaB Selling Spot

STaB Selling Spot posts are free of charge for those who live in the Parish. Let us know if you have anything to sell!


If there are any problems with the delivery of STaB please contact Sue Porter on porter1totalserve@gmail.com or 01722 780459.



Services in Chalke Valley Benefice - October 2023

BCP = Book of Common Prayer (Traditional Language), CW = Common Worship (Contemporary Language)



1 October 17th Sunday after Trinity	9.30am	Harvest Festival	Broad Chalke	Kate Woolven
	9.30am	Harvest Festival	Britford	Jenny Taylor
	11.00am	Harvest Festival	Ebbesbourne Wake	Ruth H-S
	11.00am	Harvest Festival	Coombe Bissett	Jenny Taylor
	11.00am	Family Service	Odstock	Adrian Taylor
	11.00am	Morning Prayer (BCP)	Berwick St John	Lay Led
8 October 18th Sunday after Trinity	9.30am	Parish Communion (CW)	Bowerchalke	Jenny Taylor
	9.30am	Family Communion (CW)	Nunton	Ruth H-S
	11.00am	Family Communion (CW)	Coombe Bissett	Jenny Taylor
	11.00am	Morning Prayer (BCP)	Charlton All Saints	Rhoderick Voremberg
	11.00am	Harvest Festival	Alvediston	Biddy Trahair
	11.00am	Harvest Festival	Berwick St John	Lay Led
15 October 19th Sunday after Trinity	9.30am	Parish Communion (CW)	Bishopstone	Jenny Taylor
	9.30am	Parish Communion (CW)	Odstock	Ruth H-S
	11.00am	Morning Prayer (BCP)	Ebbesbourne Wake	Biddy Trahair
	11.00am	Parish Communion (CW)	Homington	Jenny Taylor
	11.00am	Parish Communion (CW)	Berwick St John	Ruth H-S
	12.30pm	Harvest Festival (CW)	Knowle Farm Barn	Ruth H-S
22 October 20th Sunday after Trinity	9.00am	Holy Communion (BCP)	Berwick St John	Kate Rosslyn Smith
	9.30am	Parish Communion (CW)	Charlton All Saints	Jenny Taylor
	9.30am	Parish Communion (CW)	Broad Chalke	Ruth H-S
	11.00am	Family Service	Nunton	Adrian Taylor
	11.00am	Parish Communion (CW)	Bishopstone	Tony Monds
	11.00am	Holy Communion (BCP)	Alvediston	Ruth H-S
	6.00pm	Evening Prayer (BCP)	Bowerchalke	Lay Led
	6.00pm	Evening Prayer (BCP)	Homington	Jenny Taylor
29 October Bible Sunday Clocks go back 1 Hour 	10.00am	Benefice Communion (CW)	Ebbesbourne Wake	Ruth H-S
	10.00am	Benefice Communion (CW)	Britford	Jenny Taylor
5 November ALL SAINTS	9.30am	Family Communion (CW)	Broad Chalke	Kate Woolven
	9.30am	Parish Communion (CW)	Britford	Ruth H-S
	11.00am	Family Communion (CW)	Ebbesbourne Wake	Jenny Taylor
	11.00am	Family Communion (CW)	Coombe Bissett	Ruth H-S
	11.00am	Family Service	Odstock	Adrian Taylor
	11.00am	Morning Prayer (BCP)	Berwick St John	Lay Led

Ministry Team:

Team Rector ~ The Revd Dr Ruth Howlett-Shiple: 01722 697022
Team Vicars ~, The Revd Canon Jenny Taylor: 01722 503081, Vacancy
Team Administrator ~ Mrs Emily Broomhead: 07890 262376

Assisting Clergy:

The Revd Canon Anthony Hawley: 01794 390607, The Revd Canon Tony Monds: 01722 420942
The Revd Kate Rosslyn Smith: 01722 780011, The Revd Kate Woolven: 07754 582395

Lay Worship Leaders: Yvonne & Kevin Follett: 01747 828785, Caroline Lamb: 01722 780789, Sally Leaver: 01722 780447,
Naomi Martin: 07713031774, Don Morgan: 01722 718557, Adrian Taylor: 01722 325862, Gill Riley: 01722 780538,
Janet Roe: 01725 519242,
Biddy Trahair: 01722 780666, Rhoderick Voremberg: 07785 304142, James Wardroper: 01722 718152